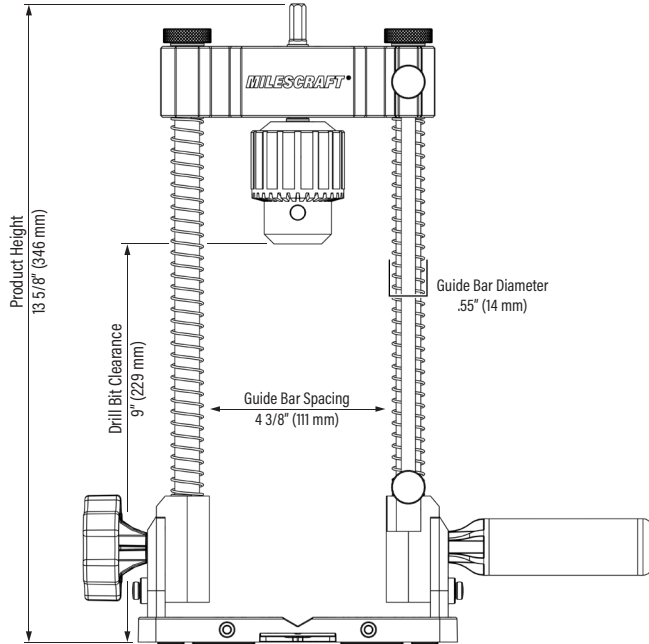


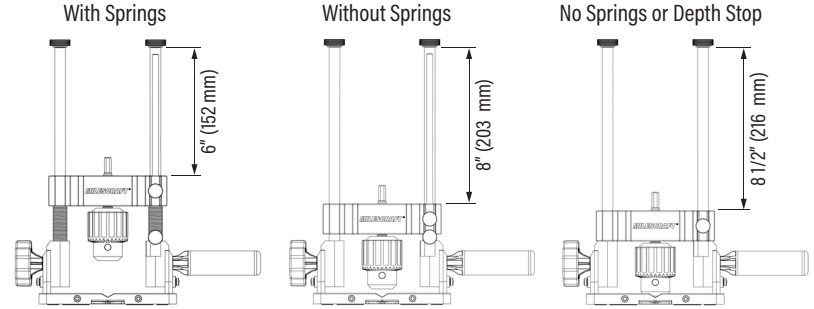
# DrillMatePRO™ DIMENSIONS GUIDE



## PRODUCT OVERVIEW



## TRAVEL DISTANCE



## BASE DIMENSIONS

